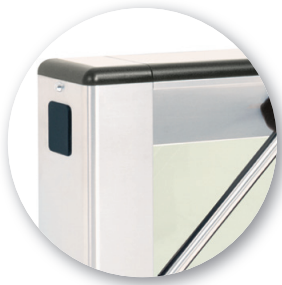


CATRAX MASTER



Catrx Master is a compact yet very robust portico type turnstile. Its unique 90° arm structure permits a true unobstructed flow of patrons. A variety of options, including a highly effective drop-arm mechanism, stainless steel and mild steel versions, lateral pictograms and much more make this the worldwide turnstile of choice for discriminating integrators. The locking mechanism is low maintenance and highly effective thanks to its solid design and the unique use of electromagnets in place of lower cost solenoids.

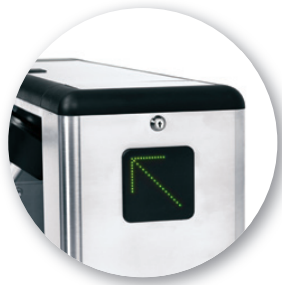


CUSTOMIZED FINISH

The turnstile is available in brushed stainless steel or mild steel with high resistance powder epoxy finish.

INTEGRATION

The Catrax line of products was designed to simplify the process of integrating the turnstile to on-board peripherals such as displays, UPS/ no-breaks, card readers, control electronics. Large and easily accessible internal volumes permit loading the turnstile the specific requisites of clients.



ACCESS PERMISSION

Lateral and top side pictograms inform access and direction of permission and inform the operational status of the turnstile.

SPECIAL DESIGN

The top panel is manufactured in high impact engineering plastic, is available with a stainless steel finish, and can be customized with the customer's own brand identity. In addition, it is safer for the user, since it has rounded corners and there are no exposed screws.



SMOOTHER PASSAGE

Arms with a 90-degree passageway allow for a smooth turn and lessen the impact of the turnstile arm on patrons after each passage.

RELIABILITY AND SAFETY

Optical sensors and electromagnets are used to activate locks, thus preventing mechanical wear and increasing equipment life.

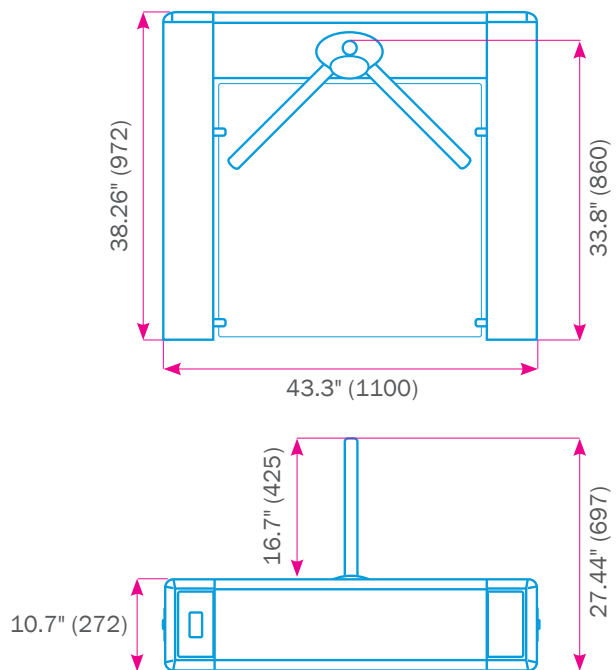


ANTI-PANIC, DROP ARM SYSTEM

Through an anti-panic mechanism the arm drops leaving the access free. This special feature can be activated in emergency situations through a push-button, central control room or in the occurrence of a power failure. The Drop Arm Mechanism can optionally inform the system when the arm drops.



DIMENSIONS Units: Inches (mm)



Dimensions may vary up to 10mm.

